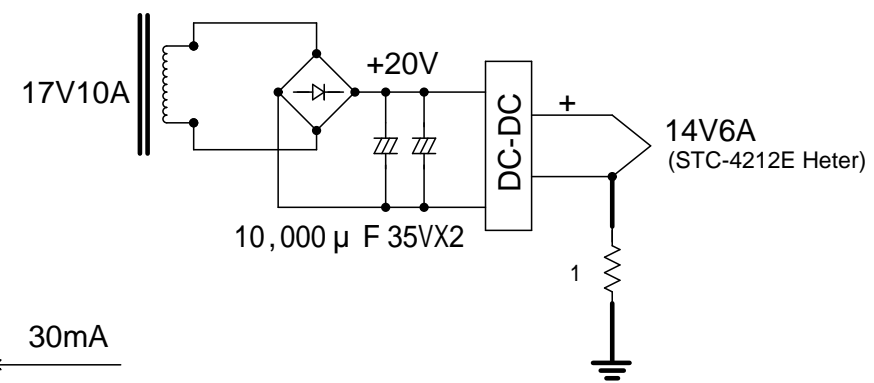
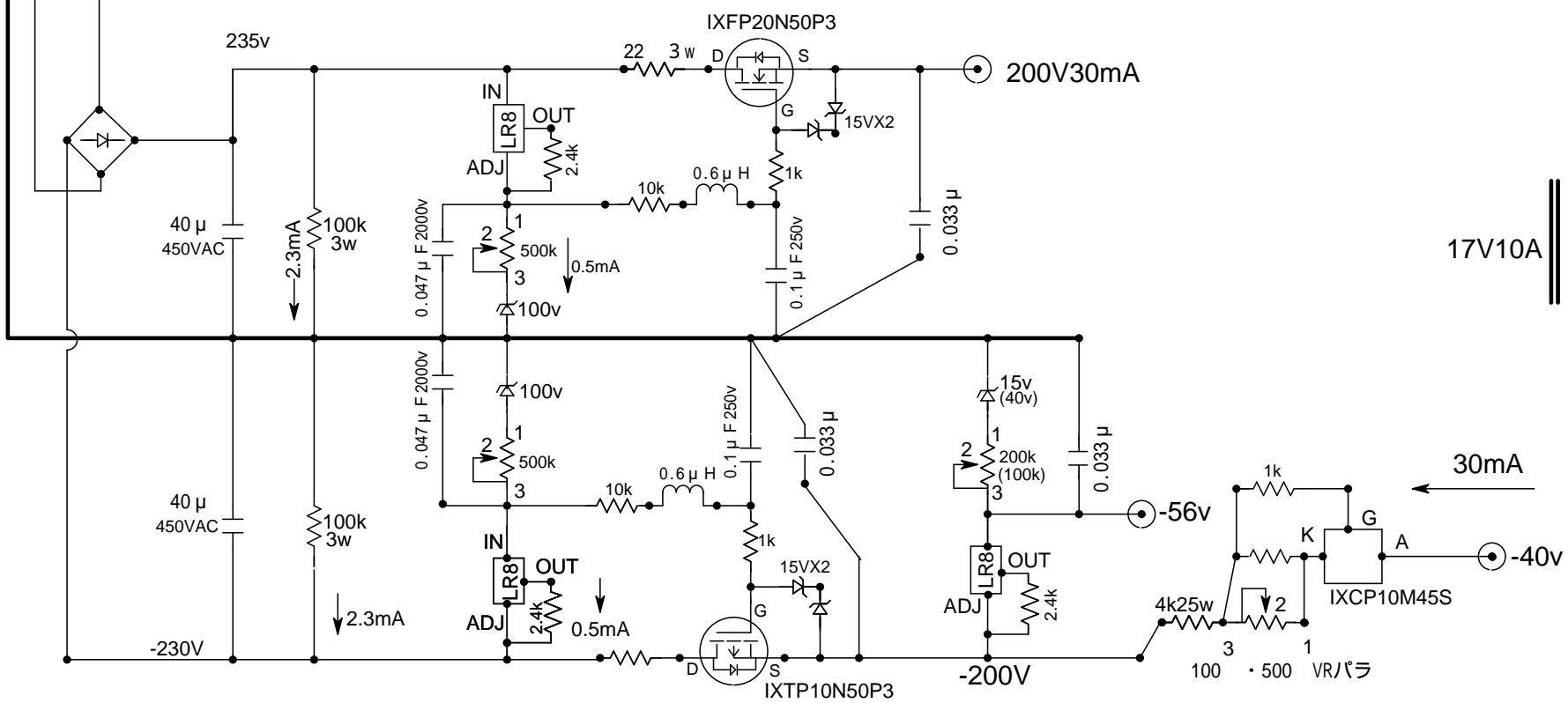
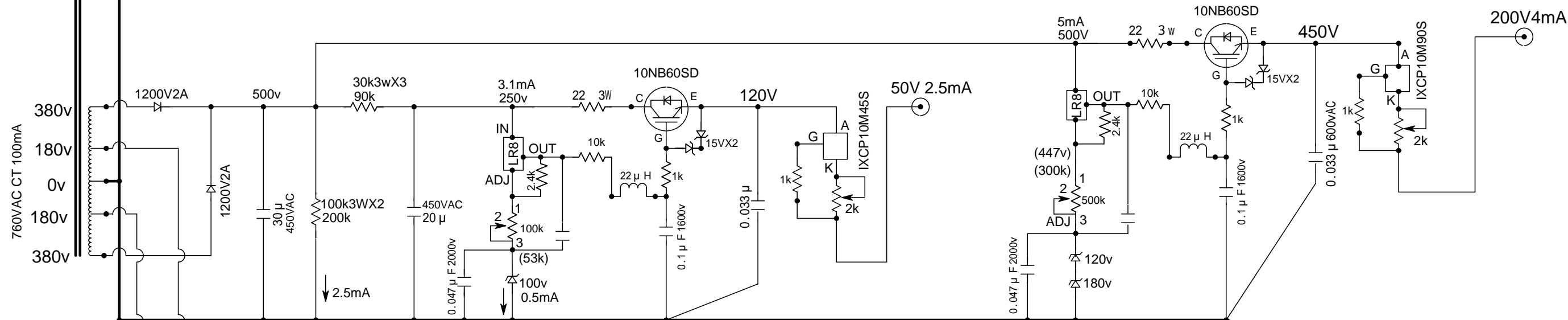


95-1200-1180
 100-1260-1180
 105-1320-1180
 IGBT入出力差は30V取る



Sakai.T

TITLE		DRAWING_No.	
STC4212E電源 14			
SHEET	DATE	DESIGN	
1	2019.05.16	T.Sakai	Trial Electric